

features

- Unique 'Plug & Play' installation concept
- Re-settable operating element option
- Analogue addressable communications
- Semi-Flush or surface mounting
- Fully compliant with EN54, Part 11
- Backward compatibility
- Enhanced aesthetics
- Integral LED
- Integral loop isolation option

The MI-MCP Series Manual Call Points are designed to provide a manual alarm interface to Morley IAS's fire alarm control panel.

Installation efficiency, flexibility and compliance with the latest standards are at the heart of the call point range.

The unique 'plug and play' concept is designed specifically to reduce installation time by using a terminal block which can be wired during the initial installation cabling with a link (P102) to provide continuity for testing. During the commissioning phase, the links are removed and the terminal block is simply inserted into the connector at the back of the unit. No re-termination is required.

Both break glass, supplied, and re-settable operating elements (PS230) can be used in the standard unit. Operation of the re-settable element, as well as being indicated by the units LED, is also indicated by a yellow strip on the element which becomes visible when activated. With the addition of a hinged transparent cover (PS200) the element may be protected against accidental operation and may be further protected by using a cover seal (PS056) which requires breaking in order to operate the unit.

The call point uses one of 99 possible addresses which is simply 'dialled in' using the two rotary decade switches on the rear of the unit.

A specialist test key may be inserted into the bottom of the unit to lower the glass and release the micro-switch and thus a full functional test is achieved.



FIRE SYSTEMS

by Honeywell



MI-MCP Series Manual Call Points Data Sheet

mechanical

Dimensions:

Semi-flush mounting: 89 x 93 x 27.5 (WxHxD)

Surface mounting: 89 x 93 x 59.5 (WxHxD)

Weight:

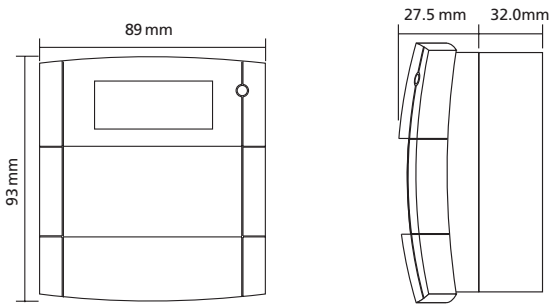
Semi Flush: 110g

Surface: 160g

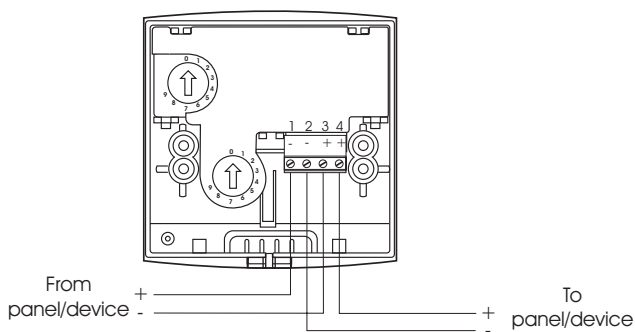
IP Rating: IP24D

Operating Temperature: -30°C to +70°C

Relative Humidity: 0% - 95% non-condensing



Wiring Diagram



electrical

Operating Voltage: 15V to 30Vdc max

Current Consumption:

Quiescent (without isolator) 260µA

Quiescent (with isolator) 360µA

Alarm Current: 6mA (both)

part numbers

- MI-MCP-GLASS** Intelligent call point without isolator. Supplied with glass and surface backbox.
- MI-MCP-GLASS-I** Intelligent call point with isolator. Supplied with glass and surface backbox
- MI-MCP-FLEX** Intelligent call point without isolator. Supplied with flexible element and surface backbox.
- MI-MCP-FLEX-I** Intelligent call point with built in isolator. Supplied with flexible element and surface backbox.
- ETT-P** Semi-flush mounting call point terminal tray.
- SR1T** Surface mounting call point back box.

accessories

- PS200** Transparent hinged cover.
- PS056** Call point cover seal (anti-tamper). Pack of 5.
- KG1X10** Pack of 10 EN54 Pt.11 glasses.
- PS230** Pack of 10 resettable elements.
- P102** Pack of 10 continuity links.



REF Nos :
166b/47
166b/48

